

# SHARKFIN



## PARED-B-12 GSM & LTE/4G IP rated high gain antenna - 12 dbS for SMS smart meters and P2G's

The Sharkfin is a unidirectional high gain antenna for both indoor and outdoor use.

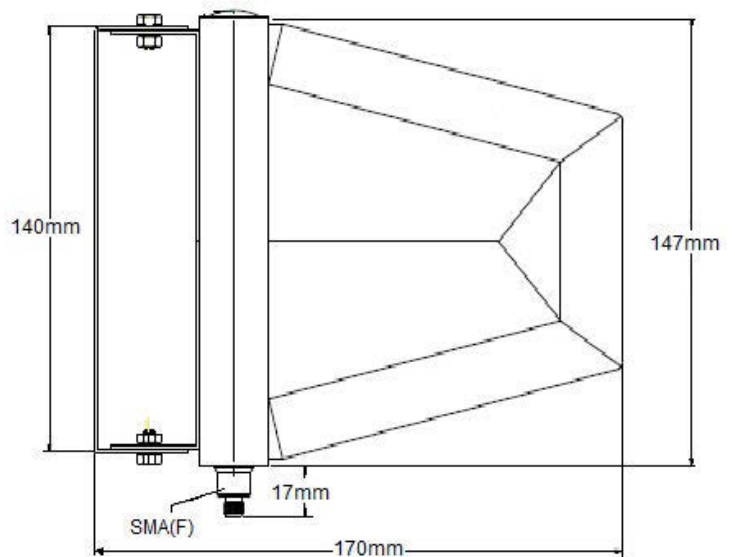
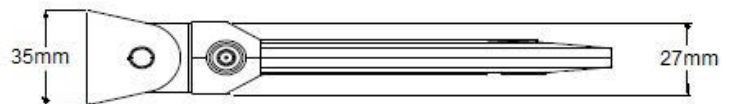
It is designed to increase the GSM signal of smart meters and other devices.

It is very efficient, durable and easy to install.

It has an SMA Female connector and can be supplied with a customised cable type and length.



TECHNICAL DRAWING



FOR USE WITH SMART METERS, LOGGERS AND OTHER GSM DEVICES



# Technical Data

## General

Current rating	100 A max (BS) 785 A max (DIN)
Accuracy class	2 or 1
Approval	MID and OFGEM
Self consumption	<0.5 VA (Current) <2W / 10VA (Voltage)
Weight	0.8 Kg
Dimensions	200 x 132 x 82 mm

## Communication

Optical	IEC 62056-21
GSM/GPRS	Integrated modem DLMS protocol IEC 62056-21
SMS	Optional (SDDS protocol)
RS-485	Optional
M-Bus	Master communication interface For 4 sub-meters
SIM Card	Hot-swappable, under terminal cover
External antenna	Antenna coupler optional (passive connection)

## Data logging

Event log	128 meter events with time stamp
Load profile	2 profiling channel Max 16 objects in each channel
Profiling period	15, 30, 60 minutes or 1 day programmable Or other on demand
Max demand	Fully programmable
Parameters	Active energy (A+ import, A- export) Reactive energy (kVa import and export) Voltage Current