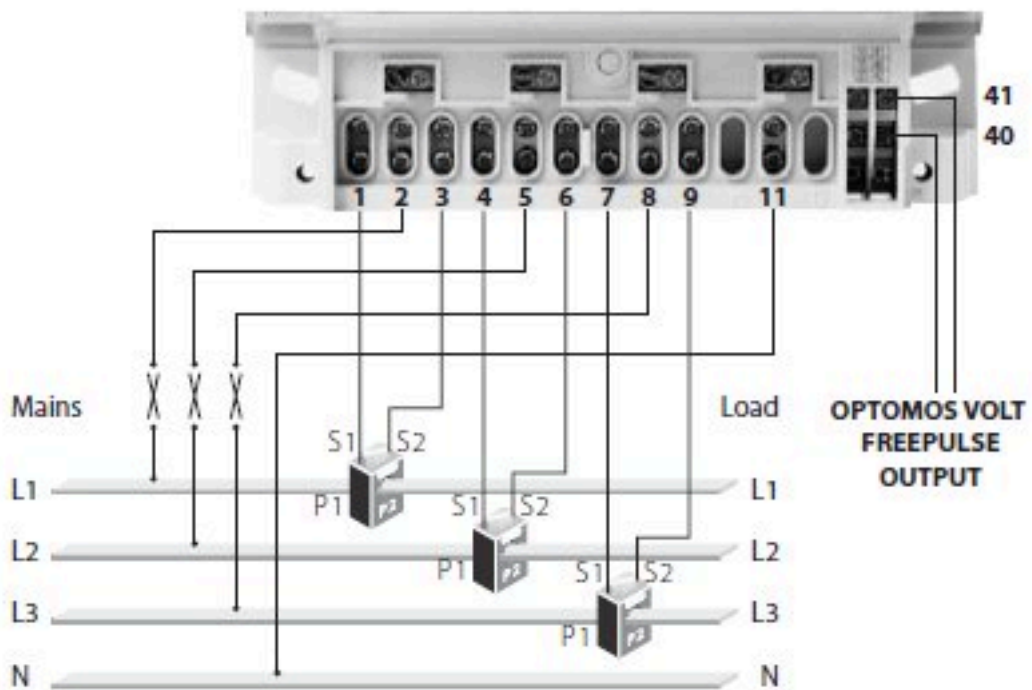




## C.T. Operated Diagram



**It is imperative that P1 on the side of the current transformer faces the mains**

Each meter is specific and has its own connection drawing under the connection cover!