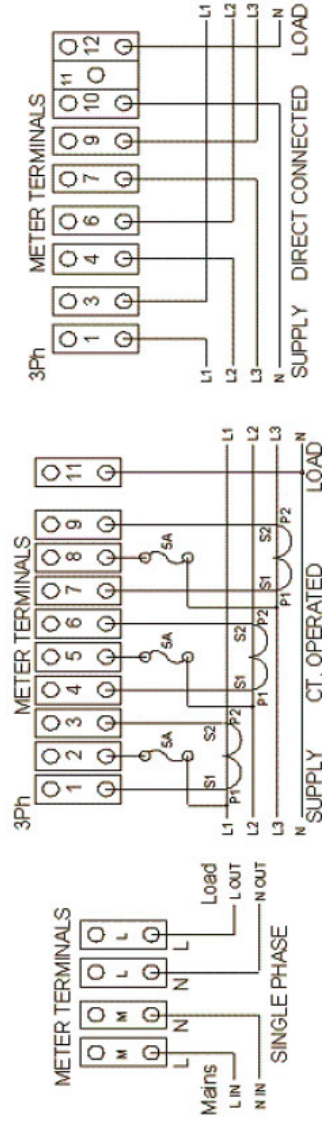


Installation Notes

Meters should be installed in accordance with electrical and building regulations by qualified personnel familiar with meter installation. Wiring should be in accordance with the drawing inside the terminal cover and/or the manufacturers instructions. Typical meter connections are shown below.



Where meters have cage clamp type connectors where the terminal screws do not directly contact the cable, do not twist the cable end before fitting. Always use the correct screwdriver and tighten the terminals firmly.

Operation Checks

In the case of three phase CT operated meters it is important to ensure that the CT wiring is clearly marked and that the CTs are fitted to the cable observing their direction markings. K (or P1) to the supply and L (or P2) to the load. For the meter to work correctly the CT inputs and voltage inputs must not be crossed over between phases. To check all phases of a 3 phase meter are operating the meter in the correct direction, connect only one voltage at once (by opening the other two fuses/side switches). Check with a load on the meter; the arrow on the display should always point left to right and show P+. The L1, (and L2 and L3 3 phase) should be on, flashing indicators indicate incorrect phase rotation.

Outputs

Hardware type	Function	Terminal
High voltage (250 V, 100 mA)	Optomos	33
High voltage (250 V, 6 A)	Common	35
	Load control	34